



SKYHAWK

---







## YOUR GATEWAY **TO THE SKY**

The world's most popular single-engine aircraft has taken evolution to a new level. Own the newest Cessna® Skyhawk® aircraft, and open your gateway to the sky. With more than 44,000 built, we've taken the feedback of operators everywhere and incorporated it into the ultimate version of the most successful piston aircraft ever.



# MAXIMIZE UPTIME

## NEXT-GENERATION AVIONICS

Garmin® G1000™ NXi avionics provide a brand new cockpit interface with enhanced graphics, faster hardware, new features and optional wireless connectivity.

## ROOM FOR OBSERVERS

Choose a two-place bench or a centered observer seat with improved forward visibility.

## WINGS DESIGNED FOR THE STUDENT

High-wing design offers better visibility and stability, as well as greater ground clearance, making it optimal for student pilots.

## ENHANCED VISIBILITY

Dual LED landing and recognition lights offer enhanced visibility and strong illumination for night flying.

## EASY ACCESS

Two doors allow for convenient entry and loading for student and instructor.

## BUILT FOR TRAINING

Ideal for entry-level landings, the Skyhawk features a sturdy tricycle landing system, making for easier touchdown regardless of conditions.

## RESILIENT AIRFRAME

Both inside and out, from anti-corrosion treatment to strengthened glass, the Skyhawk is designed for durability.

## ECONOMICAL POWER

A four-cylinder, fuel-injected Lycoming® engine provides 180 horsepower. This steadfast engine pairs economy with convenience, making it one of the most reliable piston engines ever built.







## AVIATION'S **ULTIMATE CLASSROOM**



The Cessna Skyhawk is ideally designed for instructors, students and observers alike. With seats wrapped in optional leather, large wraparound windows and soft LED lighting throughout the cabin, every lesson is enjoyed in comfort. A cargo area with 120 pounds (54 kilograms) of baggage allowance provides plenty of room to bring any necessary gear, and a 12-volt power outlet is available to keep mobile devices fully charged. Tailor your Skyhawk to your preferences with optional skylights, aft-bench seating and air-conditioning.

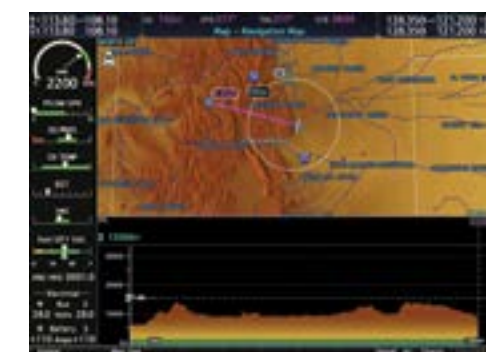




VFR Sectionals



IFR High and Low Charts



Vertical Situation Display



COM Frequency Decoding

# COMMAND THE NEXT GENERATION

The Skyhawk is powered by the latest technology in integrated cockpit avionics, the Garmin G1000 NXi. With an improved graphical interface, more powerful hardware, higher-resolution displays, added functionality to improve situational awareness and optional wireless technology, managing the flight deck has never been easier.

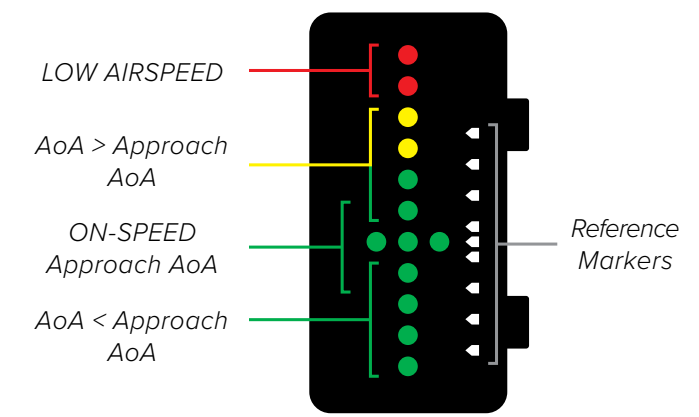
## G1000 NXi



Enhanced HSI Functionality

### NEW FEATURES AND OPTIONS

- + Standard ADS-B Out and In
- + Optional wireless database and flight plan loading
- + Integrated VFR Sectional Charts
- + IFR High and Low Charts with Night Mode
- + Enhanced HSI features
- + COM frequency decoding
- + Vertical Situation Display
- + Selectable Visual Approaches
- + Optional Surface Watch for runway safety
- + Enhanced graphics and faster processing
- + Improved joystick with smoother panning
- + Simplified maintenance



An Angle of Attack System is standard on all Skyhawks, delivering precise information for increased stall awareness, low-speed maneuvering capability and consistent maneuvers during takeoff, climb, cruise, approach and landing.





## TOP HAWK



## POWERFUL SKYHAWK PARTNERSHIPS

Textron Aviation partners with university flight training programs through Top Hawk, a program designed to promote general aviation and connect future pilots to higher education. Top Hawk provides its university partners use of the worldwide flight trainer of choice, a Cessna Skyhawk. The Top Hawk program serves to promote university aviation programs, showcase Textron Aviation internship opportunities, support discovery flights and learn-to-fly programs. Find out more at [Cessna.com/TopHawk](https://Cessna.com/TopHawk).

# TURBO SKYHAWK JT-A

## YOUR DIESEL ENGINE OPTION



A new alternative is available to fuel your favorite Skyhawk. By upgrading to an advanced 155-horsepower turbo diesel Continental™ CD-155 engine with an integrated power plant, propeller, and cockpit update package, your standard Skyhawk is transformed into a Turbo Skyhawk JT-A®. This next-generation trainer operates with better fuel efficiency while preserving the forgiving flying characteristics of the legendary Skyhawk.

### NEW FEATURES

- + 155-horsepower Continental CD-155 liquid-cooled, turbo diesel engine
- + Capable of operating on JET A, JET A-1, Fuel No. 3, JP-8, TS-1 or diesel fuel
- + Electronically controlled engine via a dual-channel FADEC with backup battery
- + Single-lever power control replaces throttle and mixture controls
- + Composite three-blade constant-speed propeller
- + G1000 NXi integration to display diesel engine and fuel information



# 25% LESS

FUEL BURN PER HOUR



Contact your factory-direct sales representative for more information.

[CESSNA.COM](https://CESSNA.COM) | U.S. +1.844.44.TXTAV



# STANDARD PAINT SCHEME OPTIONS

Choose your different color combinations, and outfit your Skyhawk to fit your style preferences.



# CUSTOM FLEET PAINT SCHEMES

Fly your colors with the endless custom options available when outfitting a fleet.



## RADIATE



Medium Concord Blue  
Cumulus Gray  
Starlight Silver  
Black



Blue  
Cyan  
Light Gray  
Black



Dark Red  
Red  
Light Blue  
Black

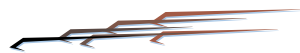
## OBVERSE



Medium Concord Blue  
Cumulus Gray  
Starlight Silver  
Black



Blue  
Cyan  
Black



Dark Red  
Red  
Light Blue  
Black



# GRADUATING THE PILOTS OF TOMORROW

It's a culmination of winning attributes that makes the Skyhawk the world's leading trainer, including rugged durability, careful student-focused design, the latest in avionics intelligence and a comfortable learning environment. Whether you want to teach trim operation, crosswind landings or ground reference maneuvers, this single-engine workhorse exudes the versatility and performance you expect from the ultimate trainer, backed by the most pedigreed company in the industry. Textron Aviation has experience supporting large trainer fleets with extensive parts availability and global response team reach. Leverage the benefits of working with a leader, and maximize your success.

## SPECIFICATIONS

### PERFORMANCE

Takeoff Ground Roll	960 ft	293 m
Max Climb Rate	730 fpm	223 mpm
Service Ceiling	14,000 ft	4,267 m
Max Cruise Speed	124 ktas	230 km/h
Max Range	640 nm	1,185 km

### POWER PLANT

Manufacturer	Lycoming	
Model	IO-360-L2A	
Power Output	180 hp	

### WEIGHTS

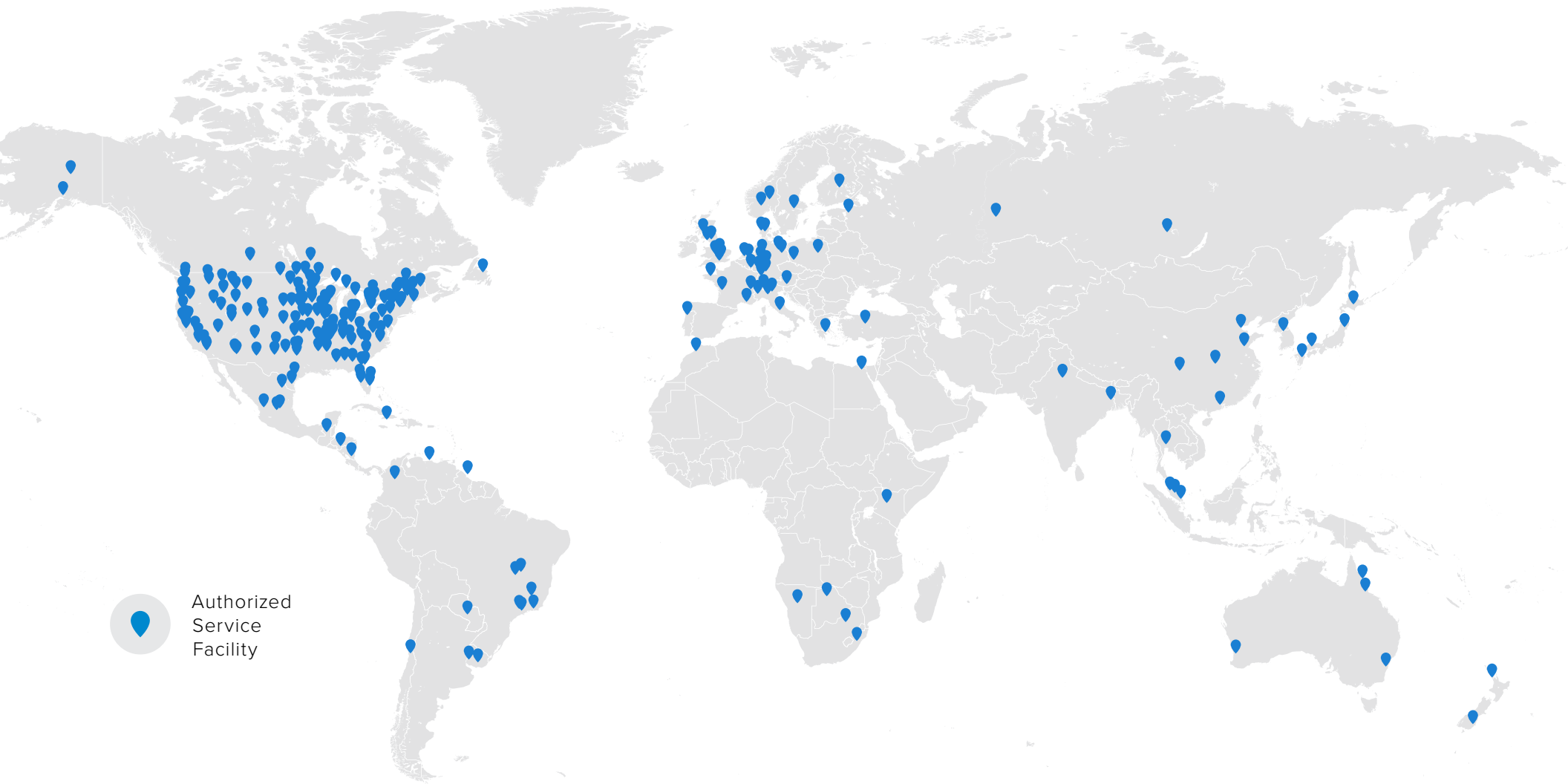
Max Takeoff Weight	2,550 lb	1,157 kg
Basic Empty Weight	1,670 lb	757 kg
Useful Load	888 lb	403 kg

### INTERIOR

Cabin Height	48.0 in	1.22 m
Cabin Width	39.5 in	1.00 m
Cabin Length	11 ft 10 in	3.61 m
Baggage Capacity	120 lb	54.4 kg
Max Occupants	4	

*\*Performance data is based on standard conditions with zero wind. Field performance assumes a level, hard-surface, dry runway. Range is based on a ferry mission with one pilot (170 pounds) at 45% power with 45 minutes reserve.*





# THE LARGEST AND MOST CAPABLE SERVICE NETWORK

Textron Aviation's extensive engineering and manufacturing resources provide you with a worldwide network of technical support experts and maintenance solutions.

- ✔ Field service representatives from Textron Aviation are equipped with extensive technical manuals and detailed vendor documentation to answer your questions.
- ✔ More than 350 authorized service facilities around the world are uniquely qualified to service your piston aircraft.
- ✔ Our inventory carries more than \$150 million in piston parts with a 99.6 percent same-day ship rate to keep your aircraft flying.

Fly with confidence knowing you're backed by the most capable service and support network in general aviation.

[TXTAVsupport.com](http://TXTAVsupport.com)

[Pubs.txtav.com](http://Pubs.txtav.com)

**TEXTRON AVIATION**  
PERFORMANCE SUPPORT



## THE WORLD'S LEADING AIRCRAFT MANUFACTURER

Textron Aviation brings smart innovation to the market — leveraging the latest technology in our industry-leading Beechcraft®, Cessna® and Hawker® aircraft — a cornerstone of 90 years of performance. Together, Cessna and Beechcraft account for more than half of all general aviation aircraft flying, having delivered more than 250,000 aircraft that exceed 100 million flight hours and operate in more than 143 countries. In the last five years, 10 new Textron Aviation aircraft products have been certified and delivered. From Citation® jets, the world's best-selling business jets, to the class-leading King Air® and Caravan® turboprops to the Cessna TTX® advanced piston performer, Textron Aviation leads the industry with the broadest product portfolio and the largest aircraft service network in the world.



# INNOVATION PERFORMANCE LEADERSHIP







**CESSNA.COM** | U.S. **+1.844.44.TXTAV** | INTERNATIONAL **+1.316.517.8270**

©2017 Textron Aviation Inc. All rights reserved. Cessna & Design, Skyhawk, JT-A, TTx, McCauley, Lycoming, Citation, Caravan, Beechcraft, Hawker, and King Air are trademarks or service marks of Textron Aviation Inc. or an affiliate and may be registered in the United States. Garmin, G1000 and Continental are trademarks or service marks of others.